



Model		Page	Disc diameter	Spindle connection	Power input	Rated speed (*No-load speed)
Diamond saw EDS 125 <b>0660V000</b>		101	125 mm	Ø 22.2 mm	1250 W	*12000 rpm
Cutting tables ETT 700 <b>09801000</b> ETT 1200 <b>09802000</b>		103				
Diamond saw EDS 181 <b>0660P000</b>		104	180 mm	Ø 22.2 mm	2300 W	4300 rpm
<b>NEW</b> Universal cutting saw EST 350.2 <b>06637000</b>		106	350 mm	Ø 25.4 mm	2400 W	*3900 rpm
Cutting system ETR 230 <b>06812000</b>		107	230 mm	Ø 22.2 mm	2600 W	*6500 rpm
Cutting system ETR 350.1 P <b>0681A000</b>		108	350 mm	Ø 25.4 mm	2700 W	2200 rpm
Cutting system ETR 400.1 P <b>0682A000</b>		108	400 mm	Ø 25.4 mm	2700 W	1950 rpm
Double blade sword saw EDB 480.1 <b>06644000</b>		110	Cutting length 480 mm	Special	1800 W	Stroke rate 3100
Wall chaser EMF 125.2 <b>06703000</b>		110	125 mm	Ø 22.2 mm	1.700 W	7.500 min <sup>-1</sup>
Wall chaser EMF 150.1 <b>0671A000</b>		113	150 mm	Ø 22.2 mm	2300 W	4300 rpm
<b>NEW</b> Wall chaser EMF 180.2 <b>0672C000</b>		114	180 mm	Ø 22.2 mm	2300 W	2200 rpm

Hazardous dust (e. g. silica dust) has to be suctioned by a Dust Class M Vacuum Cleaner!  
For our electric power tools we are recommending to use a Vacuum Cleaner of our Eibenstock DSS range!



**Optimized & strong special motor with power electronics**



Ø 350



130 mm



Ø 400



152 mm

SPECIFICATIONS	ETR 350.1 P	ETR 400.1 P
Power input	2700 W	2850 W
Rated voltage	230 V ~	230 V ~
Rated- /No-load speed	2200 rpm	1950 rpm
Max. disc diameter	350 mm	400 mm
Max. cutting depth	130 mm	152 mm
Spindle connection	Ø 25.4 mm	Ø 25.4 mm
Weight	12.9 kg	13,4 kg
Order no.	0681A000	0682A000

Supplied

in a box incl. diamond cutting disc, dust guard and assembly tools



**Integrated water supply with flow regulator**

easy adjustment of the water-volume  
low dust working



**Dry cut for refurbishment**

where no wet cut is possible-e.g. Living room renovation



Mineral dust may cause cancer!

**Special developed suction system for dust reduced working**

## Powerful cutting systems ETR 350.1 P /ETR 400.1 P (wet/dry)

### APPLICATION:

- Cutting of mineral materials, f. e. concrete, brick and natural stone
- Cut-outs into brickwork
- Wall cuttings for installations
- Slitting of expansion joints
- Civil engineering, drilling and sawing contractors, gardening and landscaping

**Simple, safe guidance through innovative drive concept**

- ☒ **no kick-back**
- ☒ **pulls into the material**



### FEATURES:

- Special gearbox with optimal adjusted speed for fast working
- Electronic – soft start, constant speed, temperature control and over current cut-off, overload indication
- Best results in system with the EE premium diamond cutting disc
- Immersion function
- Adjustable cutting depth limitation without any tools f. e. for the cutting of screed (accessory)
- Adapter and diamond cutting disc for working near to the edge (accessory)
- Exact wall cuttings by using a guide rail (accessory) – easy mounting, easy feed, low vibration
- Wide supporting rolls – exact guiding
- Spindle lock – easy tool change
- Robust metal suction hood
- Handle and hood adjustable – ergonomic handling in different working positions
- Nozzle diameter 35 mm – direct connection of industrial vacuum cleaner of EIBENSTOCK DSS series
- Cut-off carbon brushes – protection of the motor



precise cutting depth adjustment (accessory)



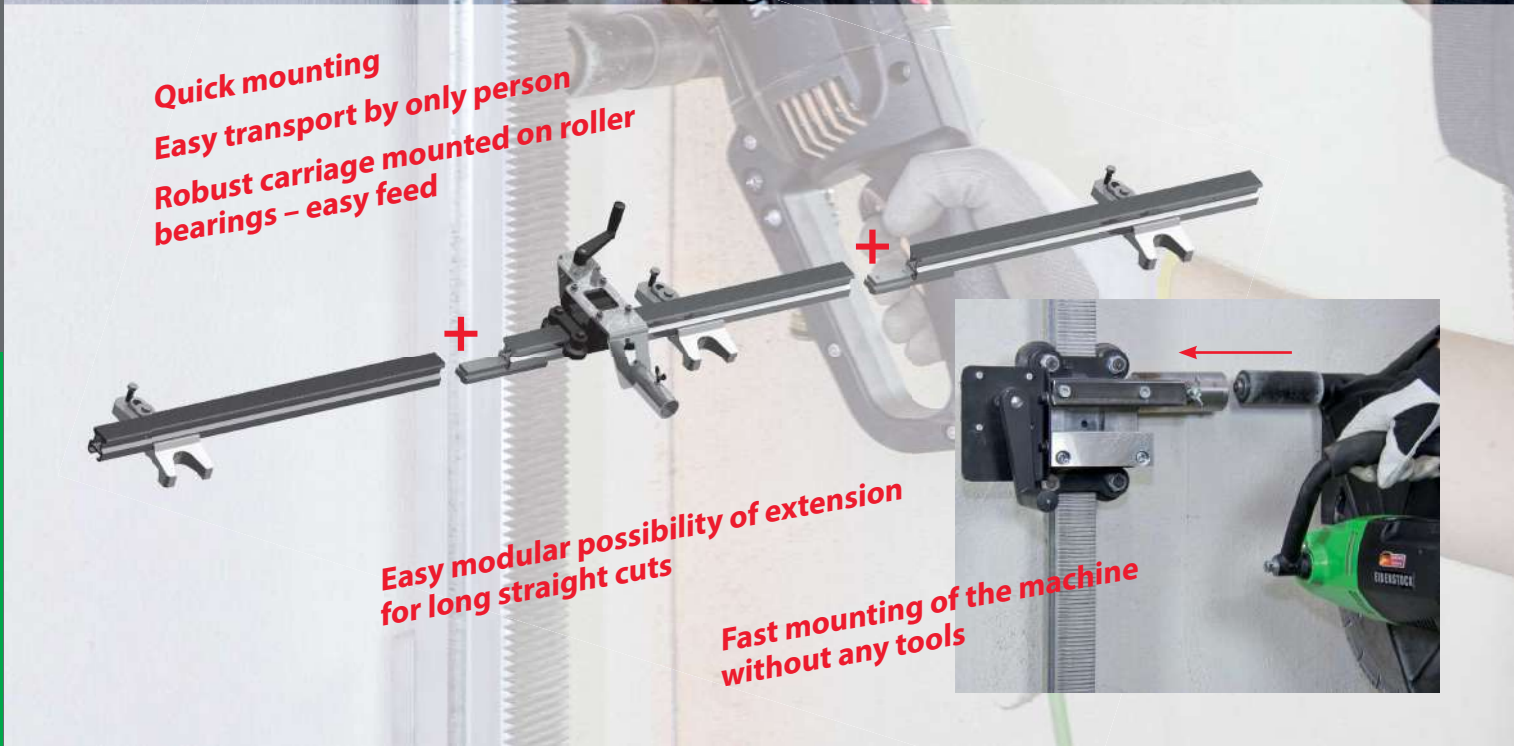
cutting near to the edge (accessory)



## SYSTEM OF GUIDE RAILS AS ACCESSORY



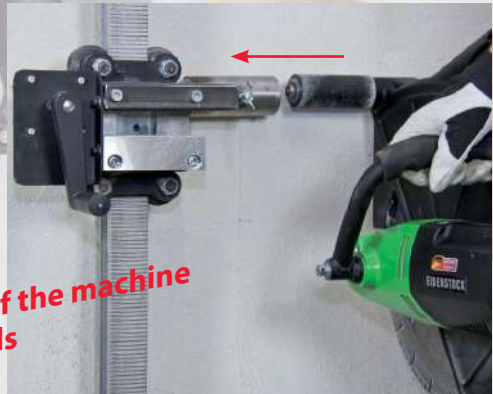
**Safe, precise and energy-saving –  
System of Guide rails with crank feed  
for relaxed working**



**Quick mounting  
Easy transport by only person  
Robust carriage mounted on roller  
bearings – easy feed**

**Easy modular possibility of extension  
for long straight cuts**

**Fast mounting of the machine  
without any tools**





## Sawing/Cutting/Slitting ACCESSORIES

FOR CUTTING AND GRINDING SYSTEMS			
	16	Diamond cutting disc Ø 230 mm	37448000
	17	Diamond cutting disc universal Ø 350 mm for ETR 350/ETR 350 P/ETR 350.1 P ETR 400 P/ETR 400.1 P	37475000
	18	Plug (aluminium) for dust extraction Absolutely necessary when cutting metal!	37476000
	19	Diamond cutting disc Premium, Ø 350 mm for ETR 350/ETR 350 P/ETR 350.1 P	3744G000
		Diamond cutting disc Premium, Ø 400 mm for ETR 400 P/ETR 400.1 P	3744T000
	20	Diamond cutting disc near to the edge Premium, Ø 350 mm, ETR 350/ETR 350 P/ETR 350.1 P	3744H000
		Diamond cutting disc near to the edge Premium, Ø 400 mm, ETR 400 P/ETR 400.1 P	3744V000
	21	Set of Adapter for cutting near to the edge for ETR 350/ETR 350 P/ETR 350.1 P	3744K000
		Set of Adapter for cutting near to the edge for ETR 400 P/ETR 400.1 P	3744W000
	22	Adjustment and limitation for cutting depth incl. cover plate - ETR 350 P/ETR 350.1 P	3744L000
		Adjustment and limitation for cutting depth incl. cover plate - ETR 400 P/ETR 400.1 P	3744U000
<p>Please order the fixing set as well!</p>	23	Set of Guide rails 200 cm for ETR 350/ETR 350 P/ETR 350.1 P/ETR 400 P/ETR 400.1 P 2x Guide rail 100 cm incl. machine holder, connection and mounting	3744N000
<p>Please order the fixing set as well!</p>	24	Guide rail 100 cm for ETR 350/ETR 350 P/ETR 350.1 P/ETR 400 P/ETR 400.1 P incl. connection and mounting	3744P000
<p>Required for assembly!</p>	25	Fastening set for Guide rails for ETR 350/ETR 350 P/ETR 350.1 P/ETR 400 P/ETR 400.1 P	35729000
	26	Blade set Universal Premium, 2 parts	37452000
	27	Diamond blade Premium Ø 125 mm	3744D000
	28	Diamond blade Standard Ø 150 mm	37440000
	29	Diamond blade Premium Ø 150 mm	37441000
	30	Diamond blade Premium Ø 180 mm	37443000
	31	Distance discs for the using of 3 blades for EMF 150.1/EMF 180	3744E000
	32	Distance discs for the using of 4 blades for EMF 150.1/EMF 180	37445000
	33	Distance discs for the using of 3 blades for EMF 180.1/EMF 180.2	3744S000
	34	V-joint plate Ø 180 mm for EMF 180 - for creating expansion joints	37442000
	35	Floor guiding drive EMF 180.1/EMF 180.2	3744X000